

AC Current Transformers

One Piece and Split Core Models



- ✓ For Ammeters, Wattmeters, Instrumentation, Relays and Energy Management Systems
- ✓ Current Ratios from 50:5 to 2000:5
- ✓ UL Recognized and CSA Certified

The CT series current transformers can be used with the OMEGA® models DP25-CRMS, DP2000-D7 or the DP2000-G7 digital panel meters which can be scaled to display AC current. The CTL series is a one-piece current transformer with 24-inch leads. The CTT series one piece current transformer, and CTSC series two piece current transformers use threaded terminals for electrical connections.

The nameplate current ratio of the current transformer is based on the condition that the primary conductor will be passed once through the transformer opening. If necessary, this rating can be reduced in even multiples by looping this conductor two or more times through the opening. The ratio of the current transformer can also be modified by forward or backwinding the secondary lead through the window of the current transformer.

Accuracy is given for the maximum burden as expressed in Volt Amps. The total burden includes the input resistance of the wire and connections between the current transformer and meter.

SPECIFICATIONS

Frequency: 50-400 Hz

Insulation Level: 0.6 kV. BIL 10 kV full wave

Terminals: Brass studs with one flatwasher, lockwasher and regular nut

Flexible Leads: CTL Series and CTSC-20 and CTSC-45 Series: UL 1015, 105°C, CSA approved, #16 AWG, 24" (610 mm) long

Construction: Core and windings are encased UL recognized plastic

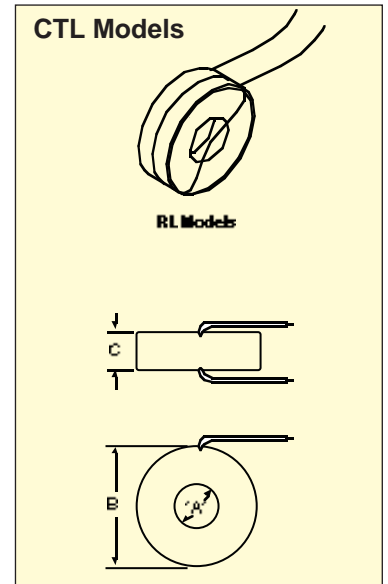
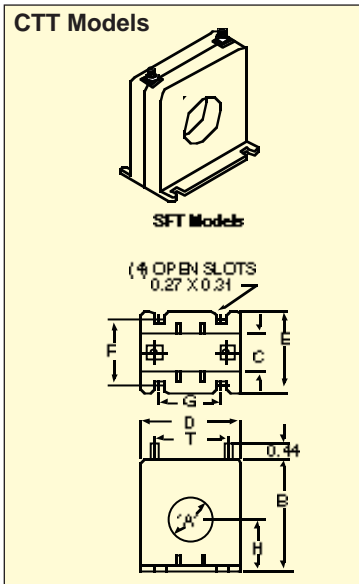
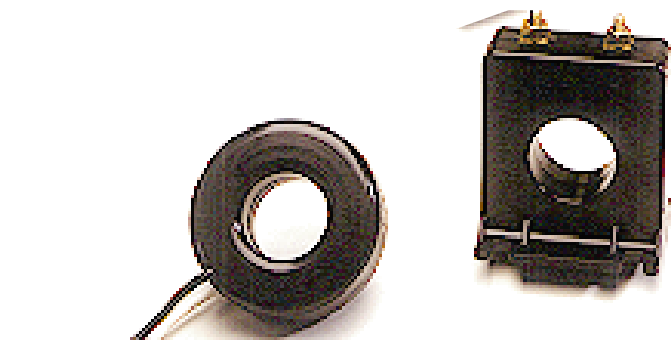
Threads: CTT Series, 8-32; CTSC-081902, 10-32



To Order (Specify Model Number) One Piece Current Transformers

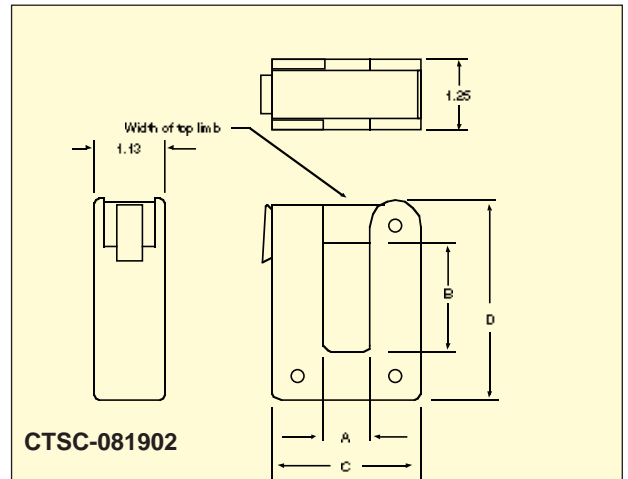
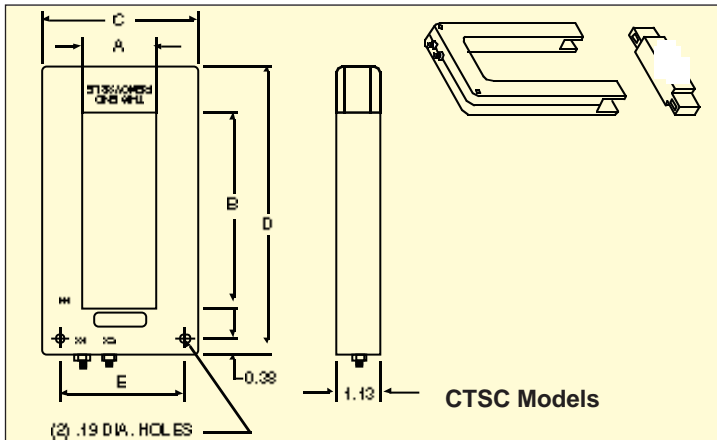
CTL Series Model No.	CTT Series Model No.	Current Ratio	Window Diameter in (mm)	Accuracy (60 Hz)	Burden VA	Price
CTL-050005	CTT-050005	50:5	0.50 (13)	±1.5%	2.5	\$33
CTL-050010	CTT-050010	100:5	0.50 (13)	1.0%	3.0	33
CTL-094020	CTT-094020	200:5	0.94 (24)	1.0%	12.5	26
CTL-113005	CTT-113005	50:5	1.13 (29)	3.0%	2.0	21
CTL-113010	CTT-113010	100:5	1.13 (29)	1.0%	2.0	21
CTL-113020	CTT-113020	200:5	1.13 (29)	1.0%	4.0	21
CTL-113030	CTT-113030	300:5	1.13 (29)	1.0%	8.0	21
CTL-156005	CTT-156005	50:5	1.56 (40)	2.0%	1.0	24
CTL-156010	CTT-156010	100:5	1.56 (40)	2.0%	2.0	24
CTL-156020	CTT-156020	200:5	1.56 (40)	1.0%	5.0	24
CTL-156050	CTT-156050	500:5	1.56 (40)	1.0%	20.0	24
CTL-156100	CTT-156100	1000:5	1.56 (40)	1.0%	25.0	32
CTL-206005	CTT-206005	50:5	2.06 (52)	3.0%	0.5	24
CTL-206010	CTT-206010	100:5	2.06 (52)	1.0%	1.0	24
CTL-206020	CTT-206020	200:5	2.06 (52)	1.0%	4.0	24
CTL-206050	CTT-206050	500:5	2.06 (52)	1.0%	12.5	24
CTL-206100	CTT-206100	1000:5	2.06 (52)	1.0%	10.0	32

Ordering Example: CTT-113005 current transformer with 50:5 ratio, \$21.



Model Number	Dimensions in. (mm)		
	A	B	C
CTL-050	0.50 (12.7)	2.69 (68.3)	1.38 (35.1)
CTL-094	0.94 (23.8)	2.69 (68.3)	1.38 (35.1)
CTL-113	1.15 (29.2)	2.46 (62.5)	1.05 (26.7)
CTL-156	1.56 (39.6)	3.56 (90.4)	1.10 (27.9)
CTL-206	2.06 (52.3)	3.50 (88.9)	1.09 (27.7)

Model Number	Dimensions in. (mm)								
	A	B	C	D	E	F	G	H	T
CTT-050	0.50 (12.7)	2.75 (69.9)	1.38 (35.1)	2.67 (67.8)	2.38 (60.5)	2.00 (50.8)	1.67 (42.4)	1.41 (35.8)	2.14 (54.4)
CTT-094	0.94 (23.9)	2.75 (69.9)	1.38 (35.1)	2.67 (67.8)	2.38 (60.5)	2.00 (50.8)	1.67 (42.4)	1.41 (35.8)	2.14 (54.4)
CTT-113	1.13 (28.7)	2.68 (68.1)	0.96 (24.4)	2.40 (61.0)	2.00 (50.8)	1.60 (40.6)	1.75 (44.5)	1.25 (31.8)	1.10 (27.9)
CTT-156	1.56 (39.6)	3.78 (96.0)	1.09 (27.7)	3.53 (89.7)	2.15 (54.6)	1.77 (45.0)	2.75 (69.9)	1.83 (46.5)	3.00 (76.2)
CTT-206	2.06 (52.3)	3.63 (92.2)	1.10 (27.9)	3.50 (88.9)	2.15 (54.6)	1.70 (43.2)	2.70 (68.6)	1.83 (46.5)	3.00 (76.2)



Model Number	Dimensions in. (mm)				
	A	B	C	D	E
CTSC-2055	2.00 (50.8)	5.50 (139.7)	4.25 (108.0)	7.75 (197.0)	3.50 (88.9)
CTSC-4545	4.50 (114.3)	4.50 (114.3)	6.75 (171.5)	6.75 (171.5)	6.00 (152.4)

Model Number	Dimensions in. (mm)			
	A	B	C	D
CTSC-081902	0.80 (20.3)	1.95 (49.5)	2.70 (68.6)	3.70 (94.0)

Split Core Current Transformers

To Order (*Specify Model Number*)

CTSC Series Model Number	Current Ratio	Window Dimensions in. (mm)	ANSI Metering Class			Accuracy (60 Hz)	Burden VA	Price
			BO.1	BO.2	BO.5			
CTSC-205505	500:5	2.00" x 5.50" (50.8 x 139.7)	2.4	4.8	-	±1%	2.0	\$180
CTSC-205520	2000:5	2.00" x 5.50" (50.8 x 139.7)	0.6	0.6	0.6	±1%	30.0	200
CTSC-454505	500:5	4.50" x 4.50" (114.3 x 114.3)	4.8	4.8	-	±1%	1.5	208
CTSC-454520	2000:5	4.50" x 4.50" (114.3 x 114.3)	0.6	0.6	1.2	±1%	20.0	228
CTSC-081902	200:5	0.80" x 1.95" (20.3 x 49.5)	-	-	-	±4%	2.5	153

Comes complete with operator's manual.

Ordering Example: Model CTSC-454505 split core current transformer with a current ratio of 500:5, **\$208**.